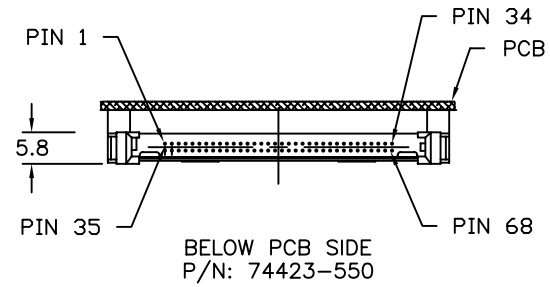
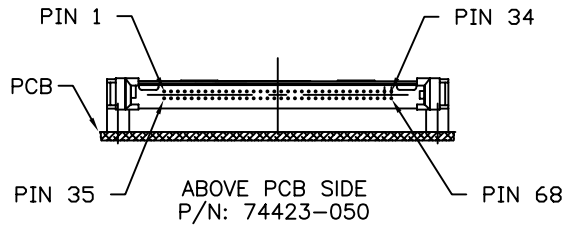
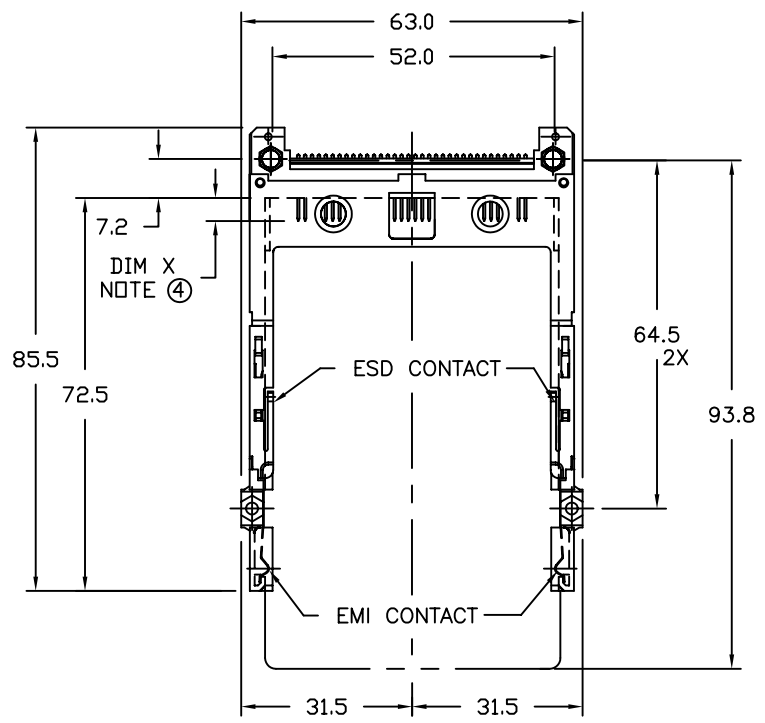
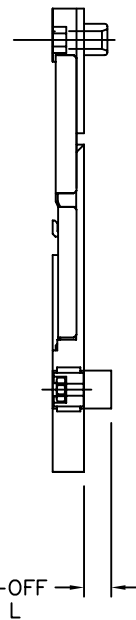
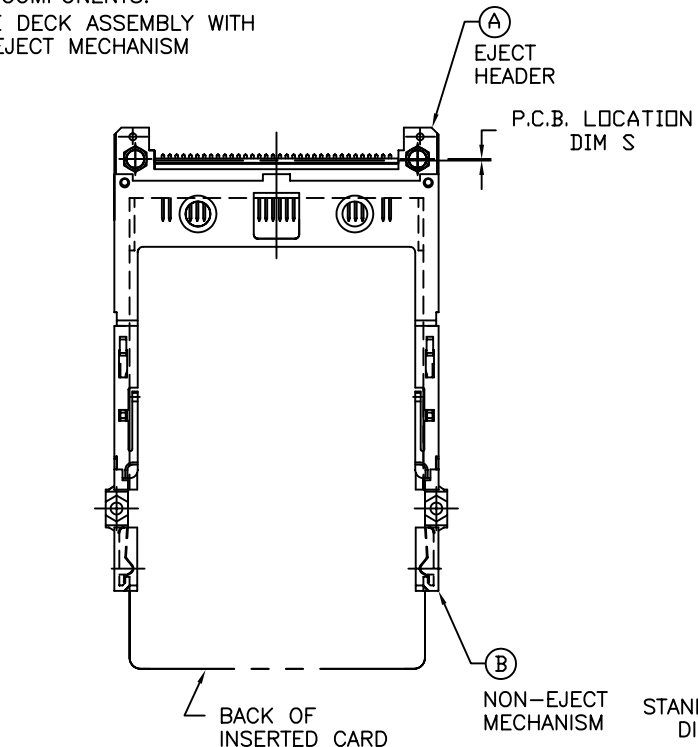


Tous droits strictement réservés. Reproduction ou communication à des tiers interdite sous quelque forme que ce soit sans autorisation écrite du propriétaire. Propriété de c FCI. Droits de reproduction FCI.

All rights strictly reserved. Reproduction or issue to third parties in any form whatever is not permitted without written authority from the proprietor. Property of FCI. Copyright FCI.

PCMCIA COMPONENTS:
SINGLE DECK ASSEMBLY WITH
NON-EJECT MECHANISM



NOTES:

- REFER TO HEADER DRAWING 61127 AND NON-EJECT MECHANISM 92791 FOR ADDITIONAL DIMENSIONS, MATERIAL, AND PLATING INFORMATION.
- REFER TO SHEETS 2 AND 3 FOR PCB LAYOUT.
- RECOMMENDED SCREW TORQUE: 1.0 TO 1.5 MAX in-lbs. (1.2-1.7 cm-kgs).

④ DIM X

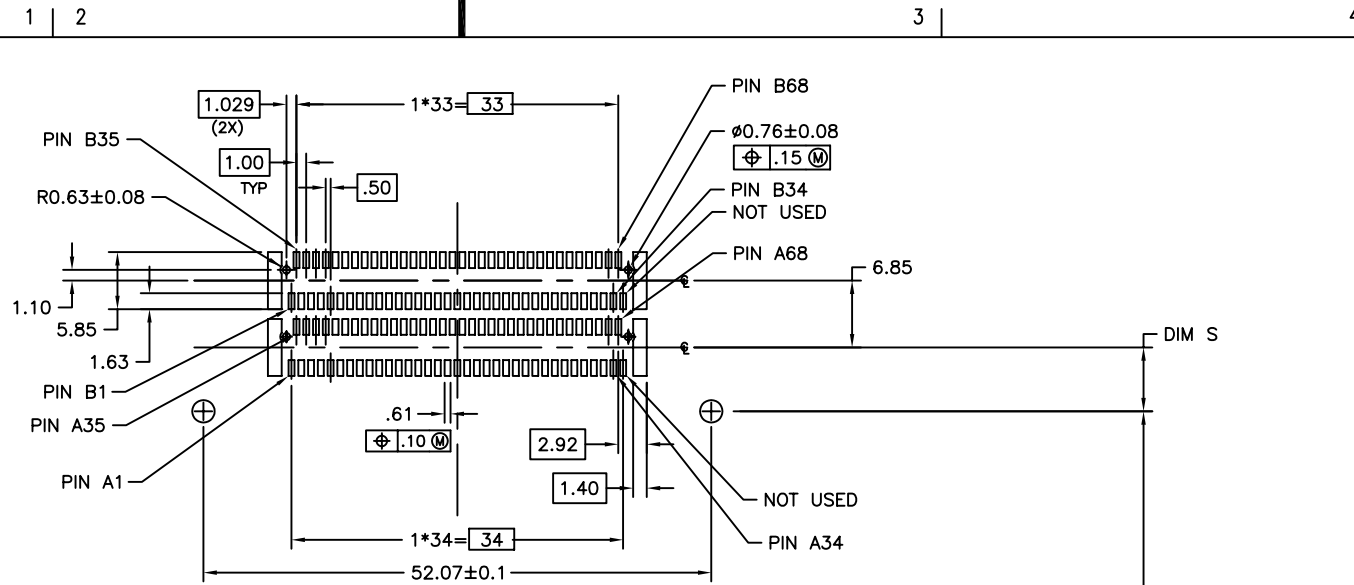
4.25±0.1	3.5±0.1	5.0±0.1
OTHERS	36,67	1,17,34,35,51,68

mat'l. code				tolerances unless otherwise specified			CUSTOMER COPY		Electronics FCI www.fciconnect.com		
ltr	ecn no	dr	date	linear	.X±.3		projection	title 68 POS. EJECT HEADER ASSY.			
A	V80087	RGD	2/21/98		.XX±.13						
B	V90656	CGC	3/13/99	angles	.XXX±.051		MM	product family size MCS 74423			
C	V00647	RGD	3/28/00		0° ±2'						
D	V12164	TFG	8/17/01	dr	R.GRAPE	2/21/98	scale 1:1	code - sheet 1 of 4			
E	V03-0517	WL	05/29/03	enr	D.BRANN	2/21/98					
F	N04-0030	PH	07/21/04	chr	D.BRANN	2/21/98					
				appd	D.BRANN	2/21/98					
sheet index	revision sheet	F	E	E	F						
		1	2	3	4						

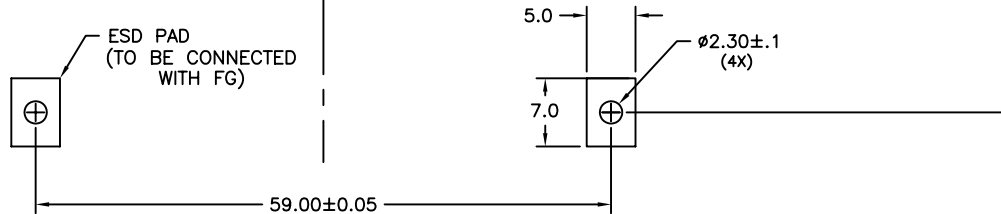
cage code
22526

Tous droits strictement réservés. Reproduction ou communication à des tiers interdite sous quelque forme que ce soit sans autorisation écrite du propriétaire. Propriété de c FCI. Droits de reproduction FCI.

All rights strictly reserved. Reproduction or issue to third parties in any form whatever is not permitted without written authority from the proprietor. Property of FCI. Copyright FCI.



P.C.B. LAYOUT
TOP MOUNT
AS ASSEMBLED



mat'l. code				tolerances unless otherwise specified		CUSTOMER COPY		Electronics FCI www.fciconnect.com			
ltr	ecn no	dr	date	linear	.X±.3	projection		title			
E					.XX±.13			68 POS. EJECT HEADER ASSY.		product family	code
					.XXX±.051			MCS	-		
				angles	0° ±2'	MM scale 1:1		size	dwg no		
				dr	R.GRAPE			2/21/98	A4	74423	sheet
				enr	D.BRANN			2/21/98			2 of
				chr	D.BRANN			2/21/98			
				appd	D.BRANN	2/21/98					
sheet index	revision sheet										

cage code
22526

ACAD

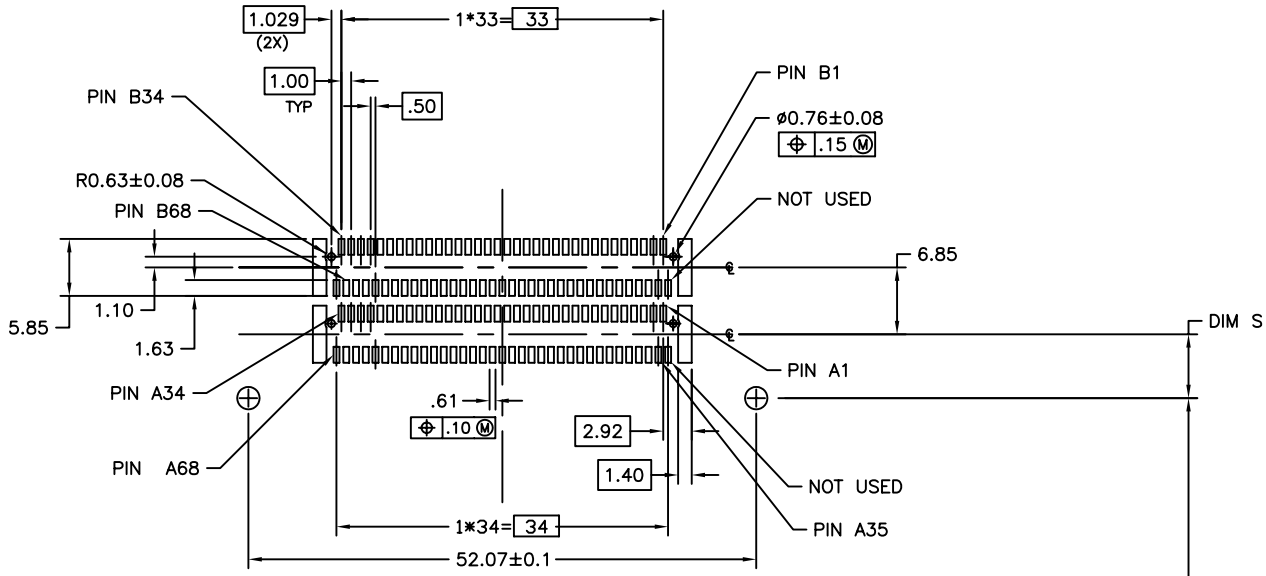
PDM: Rev:F

STATUS: Released

Printed Feb 06, 2008

Tous droits strictement réservés. Reproduction ou communication à des tiers interdite sous quelque forme que ce soit sans autorisation écrite du propriétaire. Propriété de c FCI. Droits de reproduction FCI.

All rights strictly reserved. Reproduction or issue to third parties in any form whatever is not permitted without written authority from the proprietor. Property of FCI. Copyright FCI.



P.C.B. LAYOUT
BOTTOM MOUNT
AS ASSEMBLED

ESD PAD
(TO BE CONNECTED
WITH FG)

5.0
7.0
Ø2.3±.1
(4x)

mat'l. code				tolerances unless otherwise specified		CUSTOMER COPY	Electronics FCI www.fciconnect.com		
ltr	ecn no	dr	date	linear	.X±.3		projection	title	
E				angles	.XX±.13			68 POS. EJECT HEADER ASSY.	
				dr	.XXX±.051		MM	product family	MCS
				enr	0° ±2'	scale		size	74423
				chr			1:1	A4	
				appd					
sheet index	revision sheet								

cage code
22526

ACAD

PDM: Rev:F

STATUS: Released

Printed: Feb 06, 2008

Tous droits strictement réservés. Reproduction ou communication à des tiers interdite sous quelque forme que ce soit sans autorisation écrite du propriétaire. Propriété de c FCI. Droits de reproduction FCI.

All rights strictly reserved. Reproduction or issue to third parties in any form whatever is not permitted without written authority from the proprietor. Property of FCI. Copyright FCI.

DESCRIPTION: ABOVE AND BELOW P.C.B., DECK IS AS VIEWED BY USER.

PRODUCT NO. 74423-XXX	STAND-OFF HEIGHT DIM L	P.C.B. LOCATION DIM S	Ⓐ HEADER ASSY 61127-XXXX	Ⓑ MECHANISM ASSY 92791-XXX	MOUNTING STYLE TO PCB
020	2.2	-0.3	0022	-022	
040	4.3	-0.3	0043	-043	
050	5.0	-0.3	0050	-051	
020LF	2.2	-0.3	0022LF	-022	
040LF	4.3	-0.3	0043LF	-043	
050LF	5.0	-0.3	0050LF	-051	
005	0.0	10.0	0500	-001	
025	0.0	6.55	0522	-001	
045	0.0	6.55	0543	-001	
055	0.0	6.55	0550	-001	
005LF	0.0	10.0	0500LF	-001	
025LF	0.0	6.55	0522LF	-001	
045LF	0.0	6.55	0543LF	-001	
055LF	0.0	6.55	0550LF	-001	
520	2.2	-0.3	5022	-022	
540	4.3	-0.3	5043	-043	
550	5.0	-0.3	5050	-051	
520LF	2.2	-0.3	5022LF	-022	
540LF	4.3	-0.3	5043LF	-043	
550LF	5.0	-0.3	5050LF	-051	
505	0.0	10.0	5500	-001	
525	0.0	6.55	5522	-001	
545	0.0	6.55	5543	-001	
555	0.0	6.55	5550	-001	
505LF	0.0	10.0	5500LF	-001	
525LF	0.0	6.55	5522LF	-001	
545LF	0.0	6.55	5543LF	-001	
555LF	0.0	6.55	5550LF	-001	

mat'l. code				tolerances unless otherwise specified			CUSTOMER COPY		 Electronics FCI www.fciconnect.com	
ltr	ecn no	dr	date	linear	.X±.3		projection	 title 68 POSITION EJECT HEADER ASSEMBLY		
F					.XX±.13					
				angles	.XXX±.051		 scale 1:1	product family		code
					0° ±2'			MCS		-
				dr	R.GRAPE	2/21/98	size		sheet	
				enr	D.BRANN	2/21/98	A4		4 of	
				chr	D.BRANN	2/21/98	74423			
				appd	D.BRANN	2/21/98				
sheet index	revision sheet									